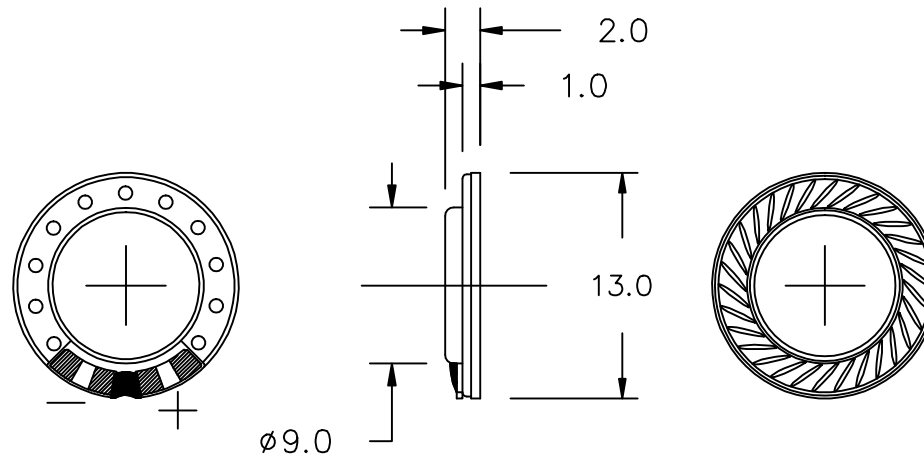


THIS DOCUMENT CONTAINS DATA PROPRIETARY TO PROJECTS UNLIMITED, INC. ANY USE OR REPRODUCTION, IN ANY FORM, WITHOUT PRIOR WRITTEN PERMISSION OF PROJECTS UNLIMITED, INC. IS PROHIBITED.  
 ©2005, Projects Unlimited Inc.

SPECIFICATIONS


PARAMETERS	VALUES	UNITS
RATED INPUT POWER	0.2	W
MAX INPUT POWER	0.4	W
IMPEDANCE	8±15%	OHM
OUTPUT SPL @ 0.2W/0.1M (AT 1.5, 2.0, 2.5, 3.0 kHz)	86±3	dB
DISTORTION (MAX.)	10%	-
RESONANT FREQUENCY	1,050±20%	Hz
FREQUENCY RANGE	1,050 ~ 20,000	Hz
HOUSING MATERIAL	METAL	-
CONE MATERIAL	MYLAR	-
MAGNET MATERIAL	Nd-Fe-B	-
OPERATING TEMPERATURE	-20 ~ +55	°C
WEIGHT	0.7	grams

REVISIONS			
LTR	DESCRIPTION	DATE	APPROVED
-	RELEASED FROM ENGINEERING	8/4/05	



NOTES:

1. ALL DIMENSIONS ARE IN MILLIMETERS.
2. SPECIFICATION SUBJECT TO CHANGE OR WITHDRAWAL WITHOUT NOTICE.
3. THIS PART IS RoHS 2002/95/EC COMPLIANT.

UNLESS OTHERWISE SPECIFIED: DIMENSIONS ARE IN MILLIMETERS, TOLERANCES ARE ±0.3 AND ANGLES ARE ±3°.		 <b>projects® unlimited</b> Dayton, Ohio									
<table border="1"> <thead> <tr> <th>APPROVALS</th> <th>DATE</th> </tr> </thead> <tbody> <tr> <td>DRAWN <i>J.A.F.</i></td> <td>8/05</td> </tr> <tr> <td>CHECKED <i>B.R.</i></td> <td>8/05</td> </tr> <tr> <td>APPROVED <i>E.P.</i></td> <td>8/05</td> </tr> </tbody> </table>		APPROVALS	DATE	DRAWN <i>J.A.F.</i>	8/05	CHECKED <i>B.R.</i>	8/05	APPROVED <i>E.P.</i>	8/05	<b>MICRO DYNAMIC SPEAKER</b>	
APPROVALS	DATE										
DRAWN <i>J.A.F.</i>	8/05										
CHECKED <i>B.R.</i>	8/05										
APPROVED <i>E.P.</i>	8/05										
<table border="1"> <thead> <tr> <th>FILE NAME</th> </tr> </thead> <tbody> <tr> <td>AS01308MR-R.DWG</td> </tr> </tbody> </table>		FILE NAME	AS01308MR-R.DWG	SIZE A	DRAWING NO. AS01308MR-R						
FILE NAME											
AS01308MR-R.DWG											
DO NOT SCALE DRAWING		SCALE: N.T.S.	SHEET 1 OF 1								